



DOUBLE ROCKER INSTRUCTIONS

MATERIALS

1/4"-20 x 2 1/4"
(24)



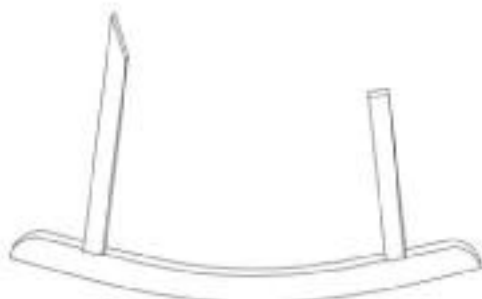
1/4"-20 x 2"
(2)



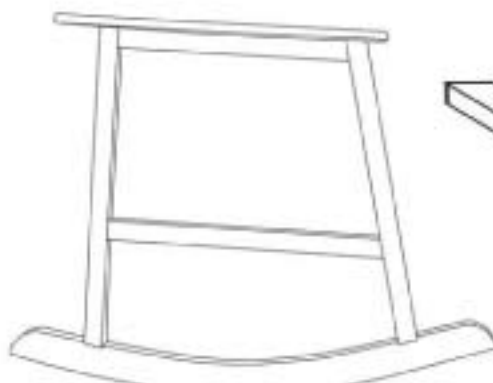
1/4"-20 x 1 1/2"
(2)



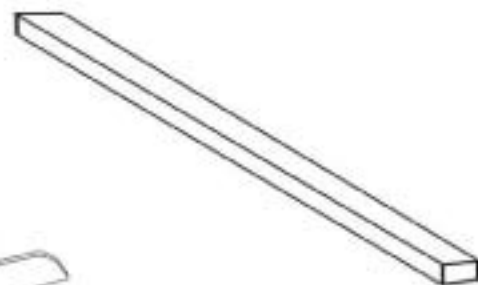
1/4"-20 x 1 1/4"
(1)



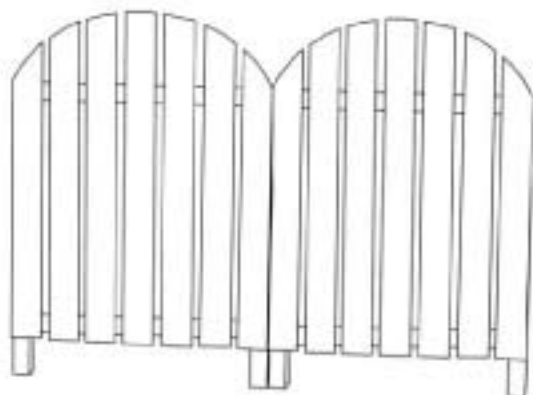
CENTER LEG
(1)



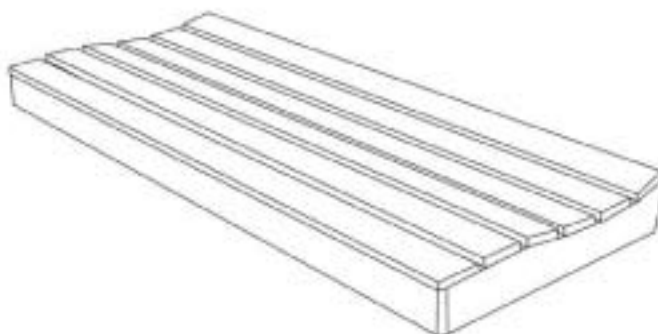
RIGHT & LEFT LEG
(1 EACH)



CROSS BRACE
(2)



CHAIR BACK
(1)



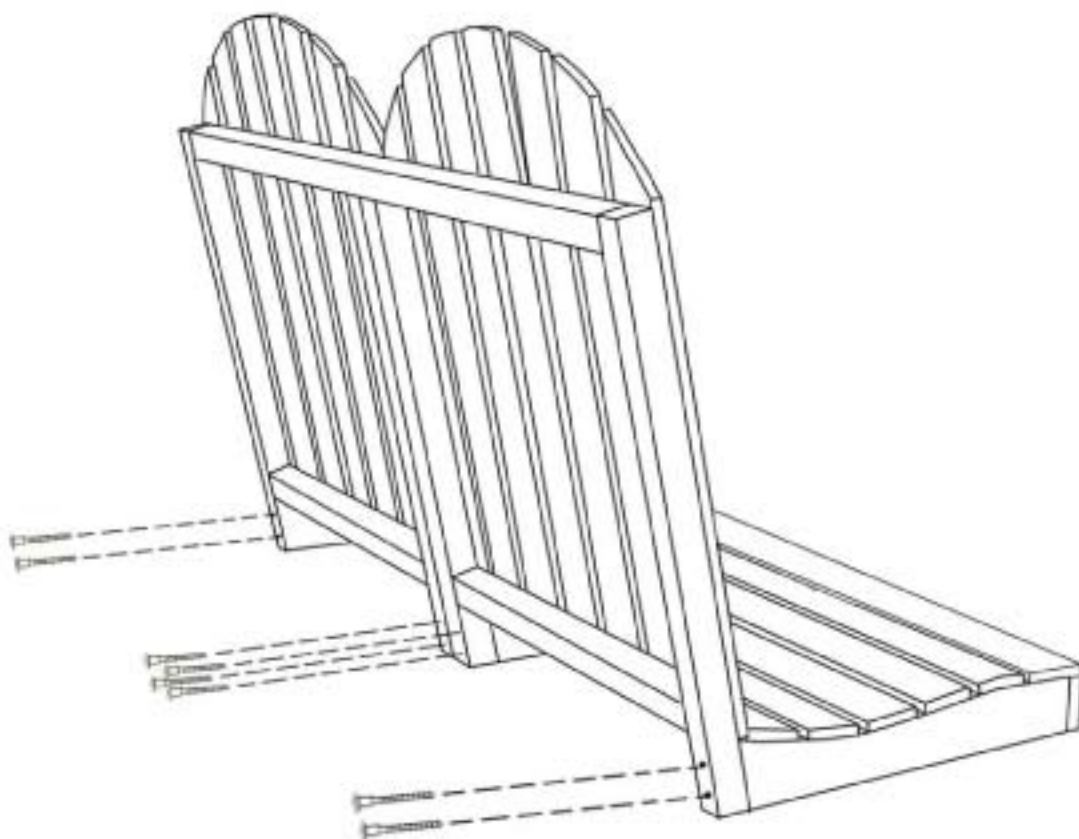
SEAT
(1)



DOUBLE ROCKER INSTRUCTIONS

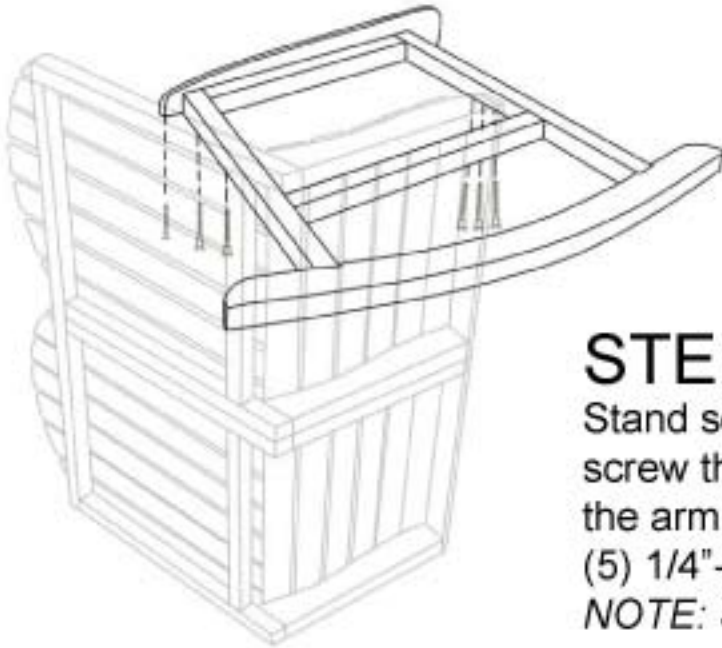
STEP 1:

Attach the chair back to the seat using
(8) 1/4"-20 x 2 1/4" screws.





DOUBLE ROCKER INSTRUCTIONS



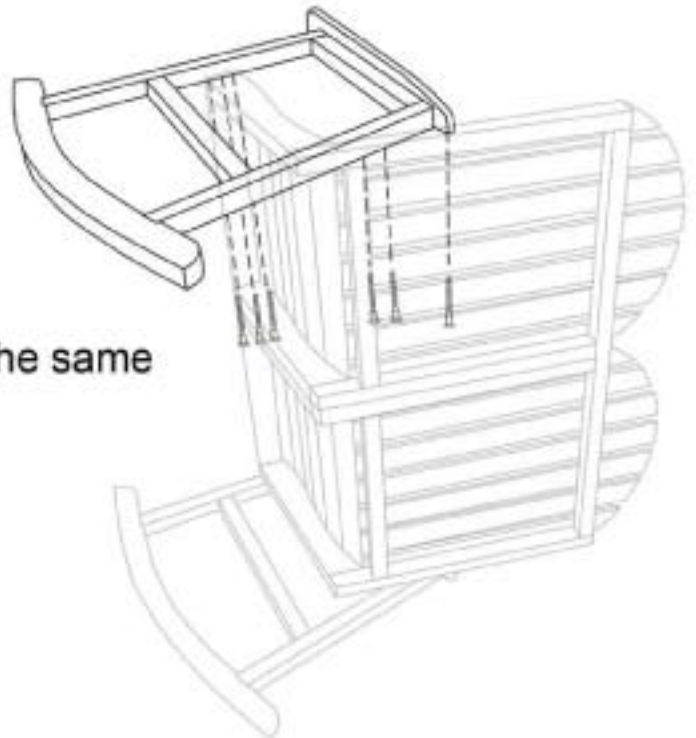
STEP 2:

Stand seat on left side. Install (1) 1/4"-20 x 2" screw through top hole of the chair back and into the arm of the right leg. Next install (5) 1/4"-20 x 2 1/4" into remaining holes.

NOTE: Screws mount from underneath seat.

STEP 3:

Flip chair over and install left leg in the same manner as STEP 2.

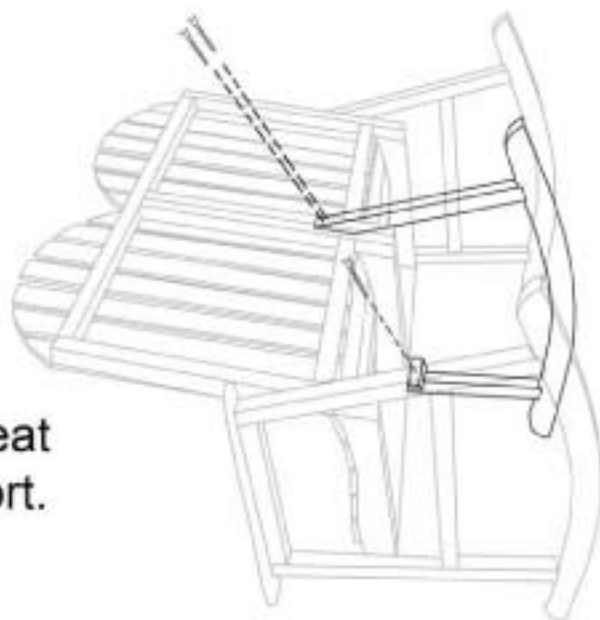




DOUBLE ROCKER INSTRUCTIONS

STEP 4:

Install (2) 1/4"-20 x 1 1/2" screws through the two holes in the center leg and into the back of the chair. Next install (1) 1/4"-20 x 1 1/4" screw through the forward block under the seat and into the center legs forward support.



STEP 5:

Install front and back crossbraces using (6) 1/4"-20 x 2 1/4" screws.