



MATERIALS

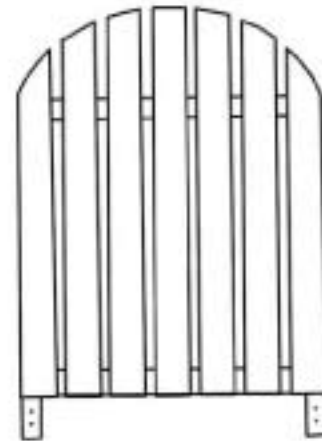
5/32 ALLEN WRENCH
(1)



2 3/4" SCREW
(20)



SEAT
(1)



BACK REST
(1)



ROCKER
(2)



CROSS BRACE
(2)



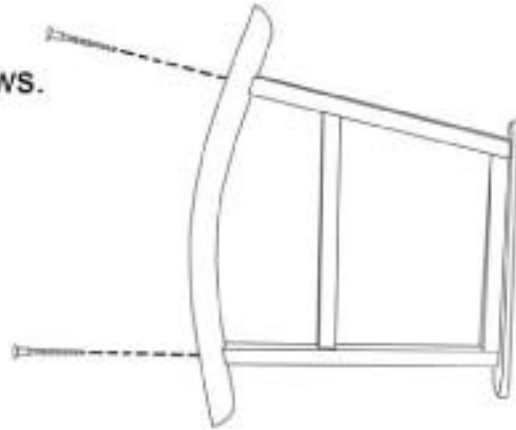
RIGHT & LEFT LEG
(1 EACH)



ROCKING CHAIR INSTRUCTIONS

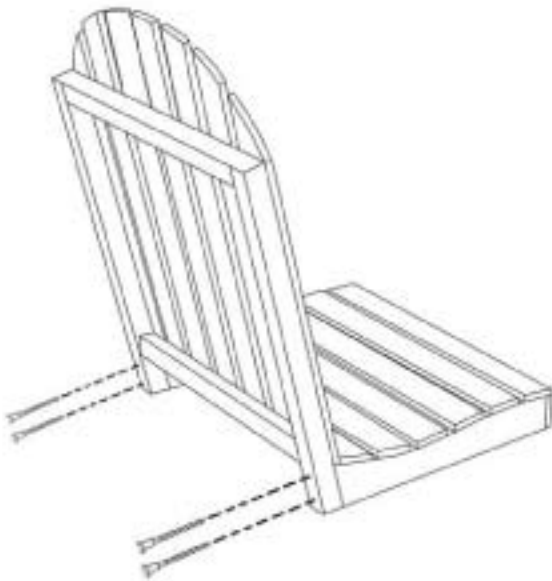
STEP 1:

Attach rocker to the leg using (2) 2 3/4" screws.



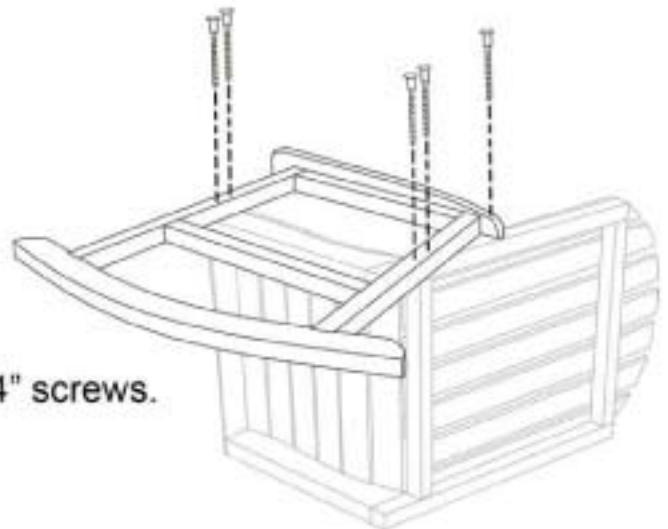
STEP 2:

Repeat step 1 for the other leg



STEP 3:

Attach the seat to the back support using (4) 2 3/4" screws.



STEP 4:

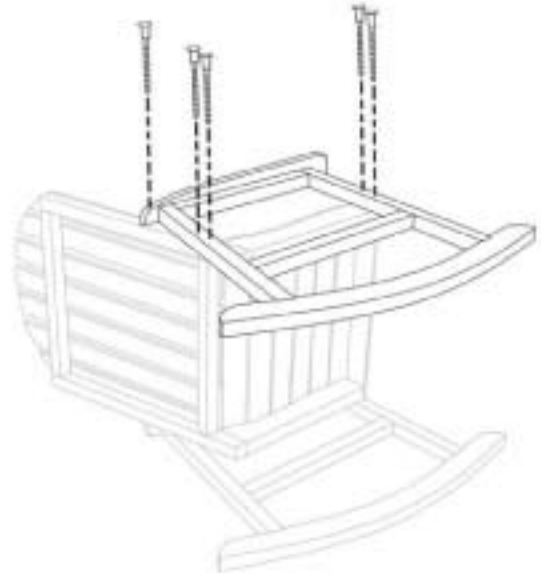
Lay the chair on its right side as shown in drawing and attach the left leg using (5) 2 3/4" screws.



ROCKING CHAIR INSTRUCTIONS

STEP 5:

Flip the chair over and attach the right leg using (5) 2 3/4" screws.



STEP 6:

Stand chair upright and attach the (2) cross braces using (4) 2 3/4" screws.

