



MATERIALS

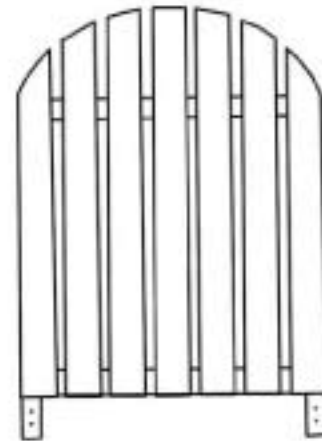
5/32 ALALEN WRENCH
(1)



2 3/4" SCREW
(18)



SEAT
(1)



BACK REST
(1)



CROSS BRACE
(2)



RIGHT & LEFT LEG
(1 EACH)



ALEXANDRIA CHAIR INSTRUCTIONS



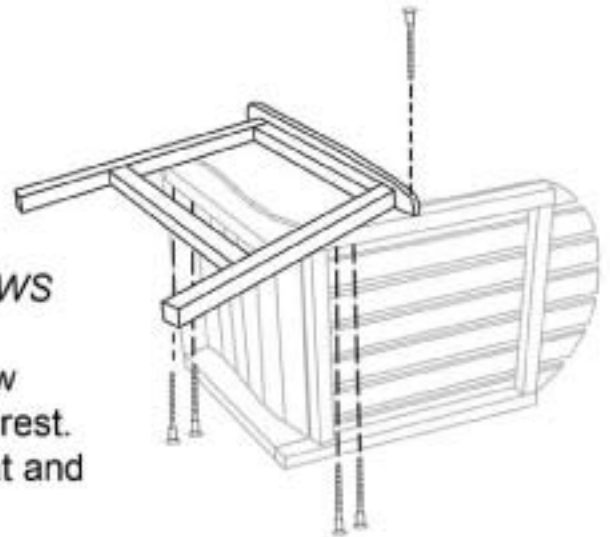
STEP 1:

Attach the seat to the back rest using
(4) 2 3/4" screws.

STEP 2:

**DO NOT TIGHTEN SCREWS UNTIL ALL SCREWS
IN THIS STEP HAVE BEEN INSTALLED.*

Lay the seat on its side and thread (1) 2 3/4" screw
through the arm rest and into the side of the back rest.
Next install (4) 2 3/4" screws from underneath seat and
back support.



STEP 3:

**DO NOT TIGHTEN SCREWS UNTIL ALL SCREWS
IN THIS STEP HAVE BEEN INSTALLED.*

Flip the chair over and attach the opposite leg
in the same manner as step 2 using (5) 2 3/4" screws.



ALEXANDRIA CHAIR INSTRUCTIONS



STEP 4:

Stand the chair upright and attach the (2) cross braces using (4) 2 3/4" screws.

